

# BMW R NINE T

## M O U N T I N G I N S T R U C T I O N S

REF 9167

**ABS  
FRONT PLATE**

REF 9798

**ALUMINUM  
FRONT PLATE**



ID.	PIEZA / PART	DESCRIPCIÓN	DESCRIPTION	QTY.	REF.:
1		Placa frontal ABS	ABS front plate	1	10526J/CM3
		Placa frontal ALUMINIO	ALUMINUM front plate		9807P/N
2		Soporte metálico derecho	Right metal support	1	SOPOR-2P-2-9167
3		Soporte metálico izquierdo	Left metal support	1	SOPOR-2P-2-9167
4		Silentblock M5	M5 silentblock	2	SILENBTM5-046/1
5		Casquillo Øint 8,5 x Øext 14x12mm	Øint 8,5 x Øext 14x12mm arrowhead	2	CASQUI-----0083
6		Tornillo M8x35 DIN912	M8x35 DIN912 screw	2	TORNI-AD912-196
7		Tornillo allen M5x16 Ø11 ISO 7380	M5x16 Ø11 ISO 7380 allen screw	2	TORNI-I7380-493
8		Arandela nylon M5x1	M5x1 nylon washer	2	ARNV0000000245
9		Tapón tornillo M5 ISO7380	M5 ISO7380 screw cap	2	TAPON-----85
10		Tornillo allen M5x16 Ø11 ISO 7380 (INOX)	M5x16 Ø11 ISO 7380 allen screw (INOX)	2	TORNI-IA----423
11		Separador de silicona Ø8x2 (Se suministra montado en ID2 y ID3)	Ø8x2 mm silicone tear (Supplied already mounted on item ID2 & ID3)	4	ADHESI-GT-D8---
12		Ribete autoadhesivo longitud de 190mm 6,2mmx2,6mm *SOLO PARA PLACA FRONTAL ALUMINIO (REF:9807)	Self-autoadhesive trim lenght 190mm 6,2x2,6mm *ONLY FOR ALUMINUM FRONT PLATE (REF:9807)	1	PERFIL-PVC-1048

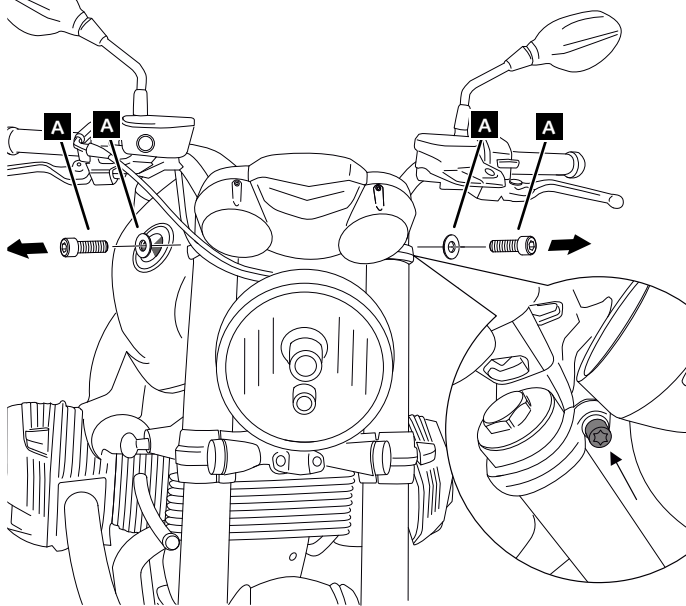
# BMW R NINE T

## INSTRUCCIONES DE MONTAJE - MOUNTING INSTRUCTIONS - MONTAGEANLEITUNG

**1**

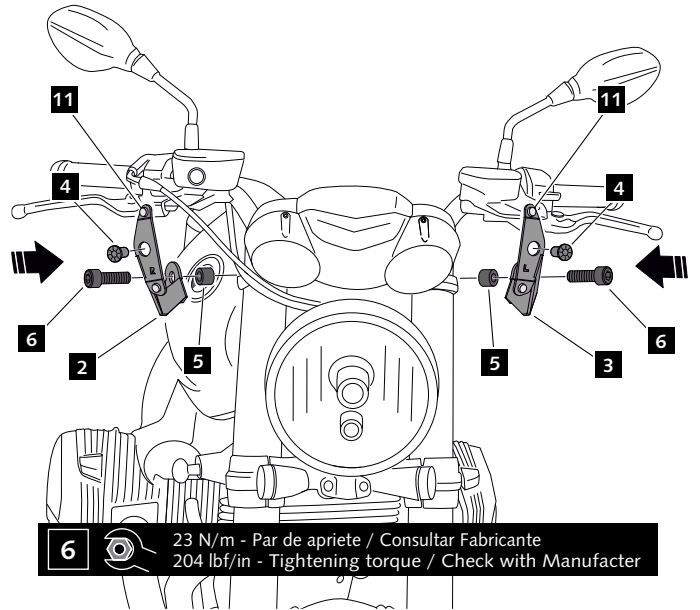
**DISASSEMBLY  
DESMONTAJE**

**A** Tornillería original  
Original screws



**2**

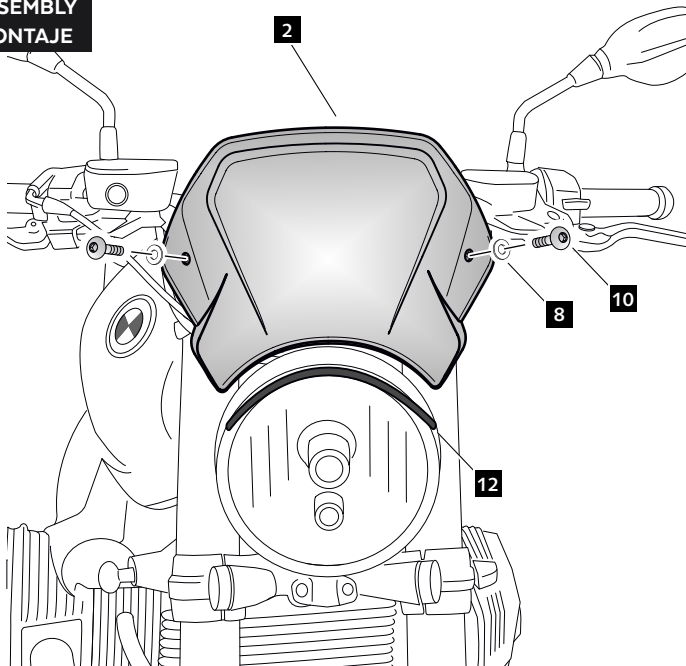
**ASSEMBLY  
MONTAJE**



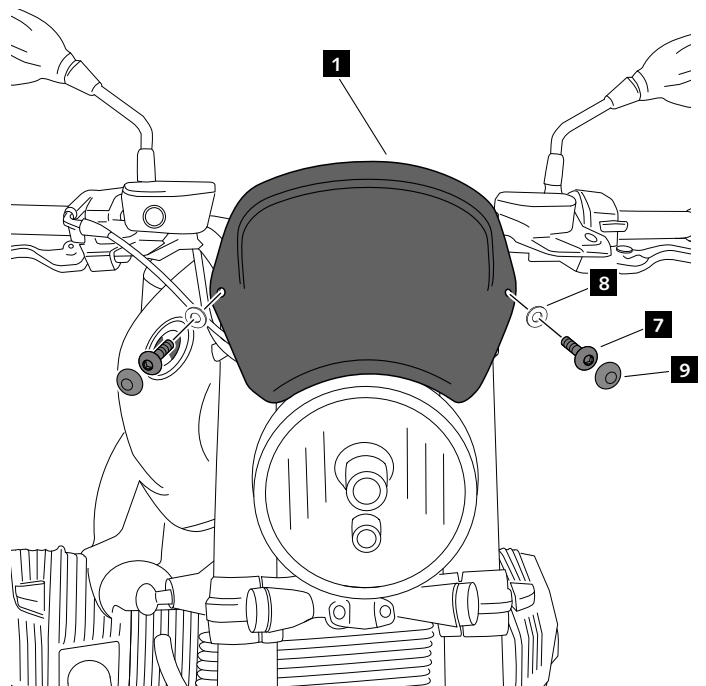
**3**

**ALUMINUM**

**ASSEMBLY  
MONTAJE**



**ABS**



SOLO SE SUMINISTRA CON PLACA FRONTAL ABS  
ONLY SUPPLIED WITH ABS FRONT PLATE